


PH Digy planetary mixers

From 20 to 80 liters

Powerful and accurate production of:

- Viennese pastries and speciality breads
- Short and sweet pastries
- Biscuits, genoise and meringue



- **Intuitive touch control panel** 
 - ✓ recipe programming
 - ✓ 5 programmed speeds + speed variation

- **Assisted bowl lifting and lowering**

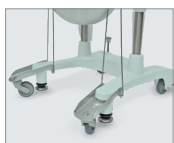
- **Protection of the mixing area**

- ✓ rotary stainless steel grid
- ✓ built-in stainless steel spout
- ✓ removable transparent protective screen

- **Flush-mounted satellite without retention areas** for easier cleaning



- **Optional extras**



Transport wheel kit



Bowl trolley



Bowl scraper



For more information:



Video



Ergonomic equipment



Commercial documentation



Examples of recipes



Contents

Planetary mixer PH 612 Digy

General Features



- 60 L stainless steel bowl + 3 tools: whip, paddle, spiral
- Patented, stainless steel safety grid removed with a simple pressure, with built-in chute
- Removable protective screen
- Columns made of stainless chromium steel
- Column supports, head and cradle made of aluminium
- Digy touch control panel
- Save up to 100 recipes, with 20 phases each
- 2 feet on wheels at the back
- Bowl lighting
- 380/400 V three phases + Earth - 50/60 Hz (any other specific voltage available and free of charge providing that it is technically possible)
- IP 54



PH 612 DIGY



Code: B5016104

- Programmable mixing speed
- Programmable mixing duration
- Power: 3 kW
- Intensity: 10 A

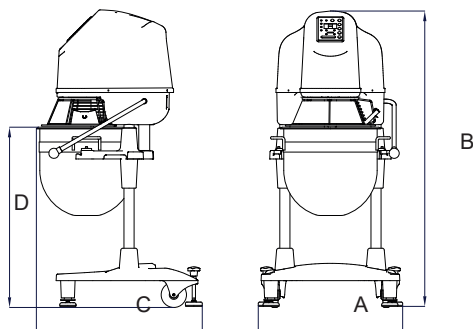
Optional extras

B02282011	Extra 60 L stainless steel bow
B0205411	40 L stainless steel bowl + 3 tools
B02281512	Extra 40 L stainless steel bowl
B0205211	20 L stainless steel bowl + 3 tools
B02281306	Extra 20 L stainless steel bowl
B065956E	Bowl trolley
B02079402	Electric heating
B043647E20	Scraper 60/60 *
B043647E21	Scraper 40/60 *
B043647E22	Scraper 20/60 *
B10810463	Set of 2 transport wheels

* Option available after the purchase of the planetary mixer



	PH 612 DIGY
Weight (kg)	190
Dimensions (mm)	
Width (A)	715
Height closed (B)	1460
Depth (C)	820
Bowl height (D)	885
Bowl diameter Ø	457



See conditions on page 5